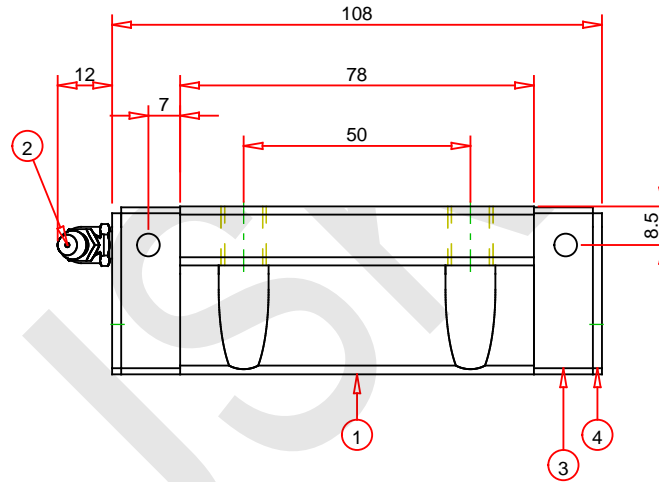
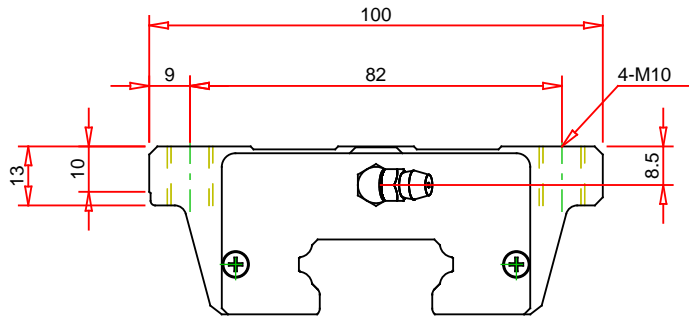


Series	EG Series
Block Type	Flange Type
Model Size	35
Load Type	Heavy Load
Block Mounting	Mounting from Top
Block	Standard Block
Preload Class	Medium Preload (0.03 ~ 0.05C)
Precision Code	C
Dust Protection	Standard protection (End seal and bottom seal)



7	0	1
4	End Seal	2
3	End Cap	2
2	Grease Nipple	1
1	Block	1
No.	Part Name	Qty

Notes : - Drawing not to scale  
- Dimensions subject to change without notice

Part No. :

EGW35CAZAC

Description :

EG Series - Interchangeable Type - Block

**HIWIN**  
Motion Control and System Technology

Hiwin Technologies Corp.

Address : No. 7, Jingke Road  
Taichung Precision Machinery Park  
Taichung 40852, Taiwan  
Tel. : +86 25 68021803  
Email : sales@njskt.com  
Web : www.njskt.com