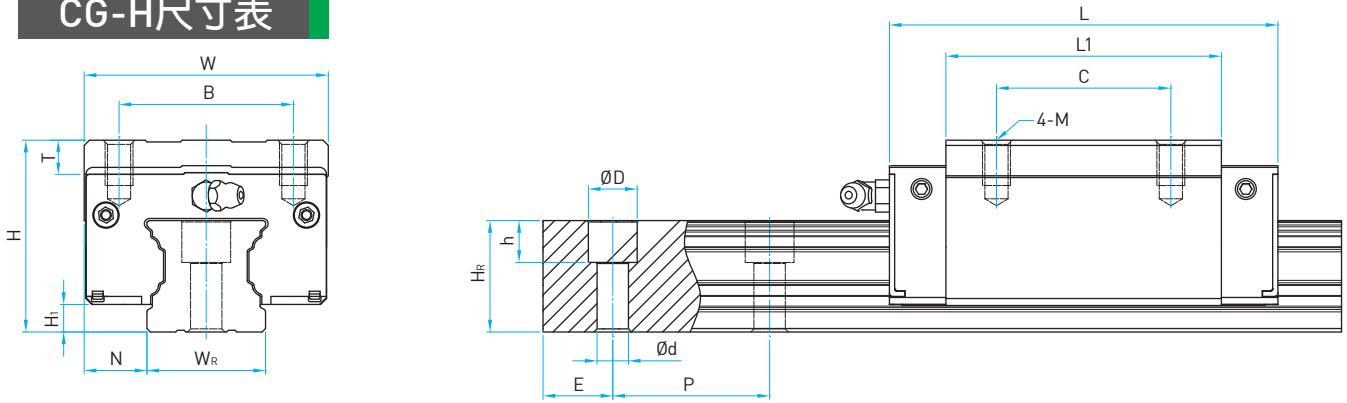
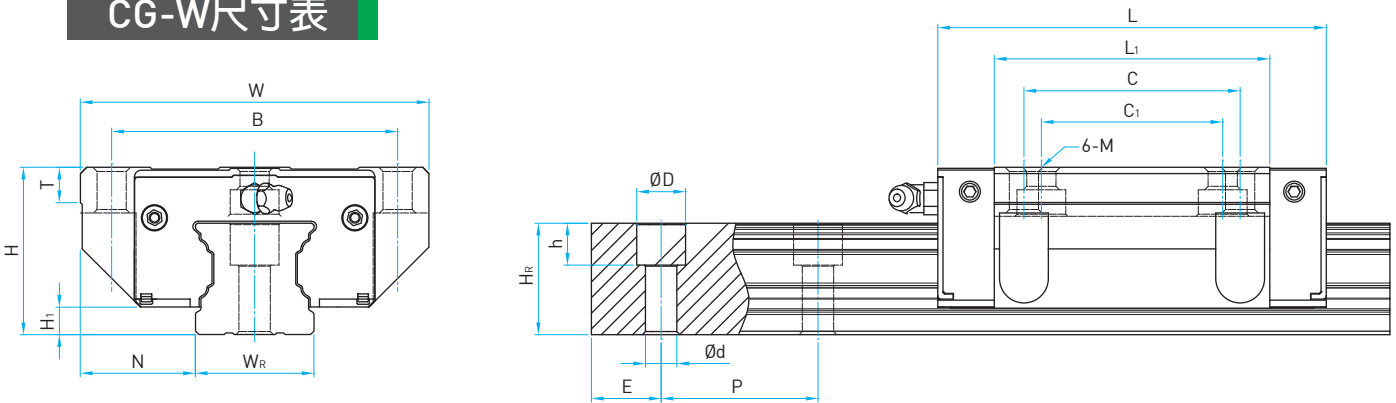


CG-H尺寸表



型號	組件尺寸 (mm)			滑塊尺寸 (mm)									滑軌尺寸 (mm)						基本動額定負荷	基本靜額定負荷
	H	H ₁	N	W	B	B ₁	C	L ₁	L	G	M × l	T	W _R	H _R	D	h	d	P	C _{dyn} [N]	C ₀ [N]
CGH15CA	28	4.3	9.5	34	26	4	26	39.2	58.2	5.3	M4 × 5	6	15	16.2	7.5	5.3	4.5	60	13800	18020
CGH15HA	28	4.3	9.5	34	26	4	26	53.6	72.6	5.3	M4 × 5	6	15	16.2	7.5	5.3	4.5	60	17600	25530
CGH20CA	30	4.6	12	44	32	6	36	52.5	74.9	12	M5 × 6	8	20	20.55	9.5	8.5	6	60	23700	30510
CGH20HA	30	4.6	12	44	32	6	50	68.5	90.5	12	M5 × 6	8	20	20.55	9.5	8.5	6	60	28600	39900
CGH25CA	40	6.1	12.5	48	35	6.5	35	61	84	12	M6 × 8	8	23	24.25	11	9	7	60	34960	43940
CGH25HA	40	6.1	12.5	48	35	6.5	50	78.6	104.6	12	M6 × 8	8	23	24.25	11	9	7	60	42180	57460
CGH30CA	45	7	16	60	40	10	40	69	96.9	12	M8 × 10	9.5	28	28.35	14	12.35	9	80	46000	55190
CGH30HA	45	7	16	60	40	10	60	92.3	118.9	12	M8 × 10	9.5	28	28.35	14	12.35	9	80	58590	78180
CGH35CA	55	7.6	18	70	50	10	50	79	111.4	12	M8 × 12	10.2	34	31.95	14	12	9	80	61170	79300
CGH35HA	55	7.6	18	70	50	10	70	105	137.4	12	M8 × 12	10.2	34	31.95	14	12	9	80	77900	112340
CGH45CA	70	9.7	20.5	86	60	13	60	97.8	137.8	12.9	M10 × 17	16	45	39.85	20	17	14	105	97630	133000
CGH45HA	70	9.7	20.5	86	60	13	80	132.3	172.3	12.9	M10 × 17	16	45	39.85	20	17	14	105	124430	217200

CG-W尺寸表



型號	組件尺寸 (mm)			滑塊尺寸 (mm)									滑軌尺寸 (mm)						基本動額定負荷	基本靜額定負荷	
	H	H ₁	N	W	B	B ₁	C	C ₁	L ₁	L	G	M × l	T	W _R	H _R	D	h	d	P	C _{dyn} [N]	C ₀ [N]
CGW15CA	24	4.3	16	47	38	4.5	30	26	39.2	58.2	5.3	M5	6	15	16.2	7.5	5.3	4.5	60	13800	18020
CGW15HA	24	4.3	16	47	38	4.5	30	26	53.6	72.6	5.3	M5	6	15	16.2	7.5	5.3	4.5	60	17600	25530
CGW20CA	30	4.6	21.5	63	53	5	40	35	52.5	74.9	12	M6	6.5	20	20.55	9.5	8.5	6	60	23700	30510
CGW20HA	30	4.6	21.5	63	53	5	40	35	68.5	90.5	12	M6	6.5	20	20.55	9.5	8.5	6	60	28600	39900
CGW25CA	36	6.1	23.5	70	57	6.5	45	40	61	84	12	M8	7	23	24.25	11	9	7	60	34960	43940
CGW25HA	36	6.1	23.5	70	57	6.5	45	40	78.6	104.6	12	M8	7	23	24.25	11	9	7	60	42180	57460
CGW30CA	42	7	31	90	72	9	52	44	69	96.9	12	M10	10.5	28	28.35	14	12.35	9	80	46000	55190
CGW30HA	42	7	31	90	72	9	52	44	92.3	118.9	12	M10	10.5	28	28.35	14	12.35	9	80	58590	78180
CGW35CA	48	7.6	33	100	82	9	62	52	79	111.4	12	M10	10.1	34	31.95	14	12	9	80	61170	79300
CGW35HA	48	7.6	33	100	82	9	62	52	105	137.4	12	M10	10.1	34	31.95	14	12	9	80	77900	112340
CGW45CA	60	9.7	37.5	120	100	10	80	60	97.8	137.8	12.9	M12	15.1	45	39.85	20	17	14	105	97630	133000
CGW45HA	60	9.7	37.5	120	100	10	80	60	132.3	172.3	12.9	M12	15.1	45	39.85	20	17	14	105	124430	217200